

Residence Hall Room Styles

See these layouts online at www.housing.utah.edu.



Double Room and Triple Room



Renderings are an artist's conception and are intended only as a general reference. Features, materials, finishes and layout of subject unit may be different than shown. 3DPlans.com

Residence Hall Room Styles

See these layouts online at www.housing.utah.edu.

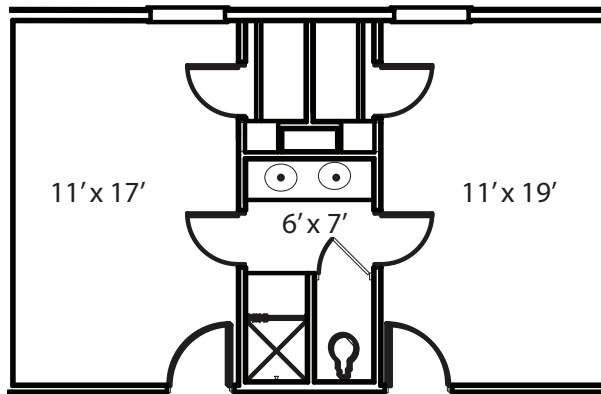


Chapel Glen Double & Triple Rooms

Double and Triple Rooms
Available to: First-year Students

Bedroom 1
Room: 187 sq. ft.
Closet: 9 sq. ft.

Bathroom
Shared: 42 sq. ft.

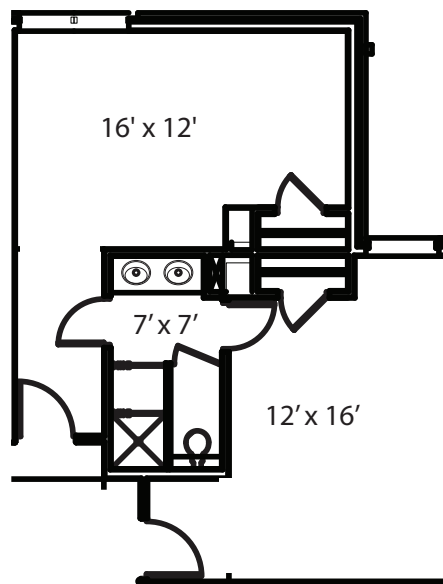


Bedroom 2
Room: 187 sq. ft.
Closet: 9 sq. ft.

Double and Triple Rooms
Available to: First-year Students

Bedroom 1
Room: 192 sq. ft.
Closet: 12 sq. ft.

Bathroom
Shared: 49 sq. ft.



Bedroom 2
Room: 192 sq. ft.
Closet: 12 sq. ft.

* These floor plans are approximate only and may not reflect actual configurations. There may be variation in size.